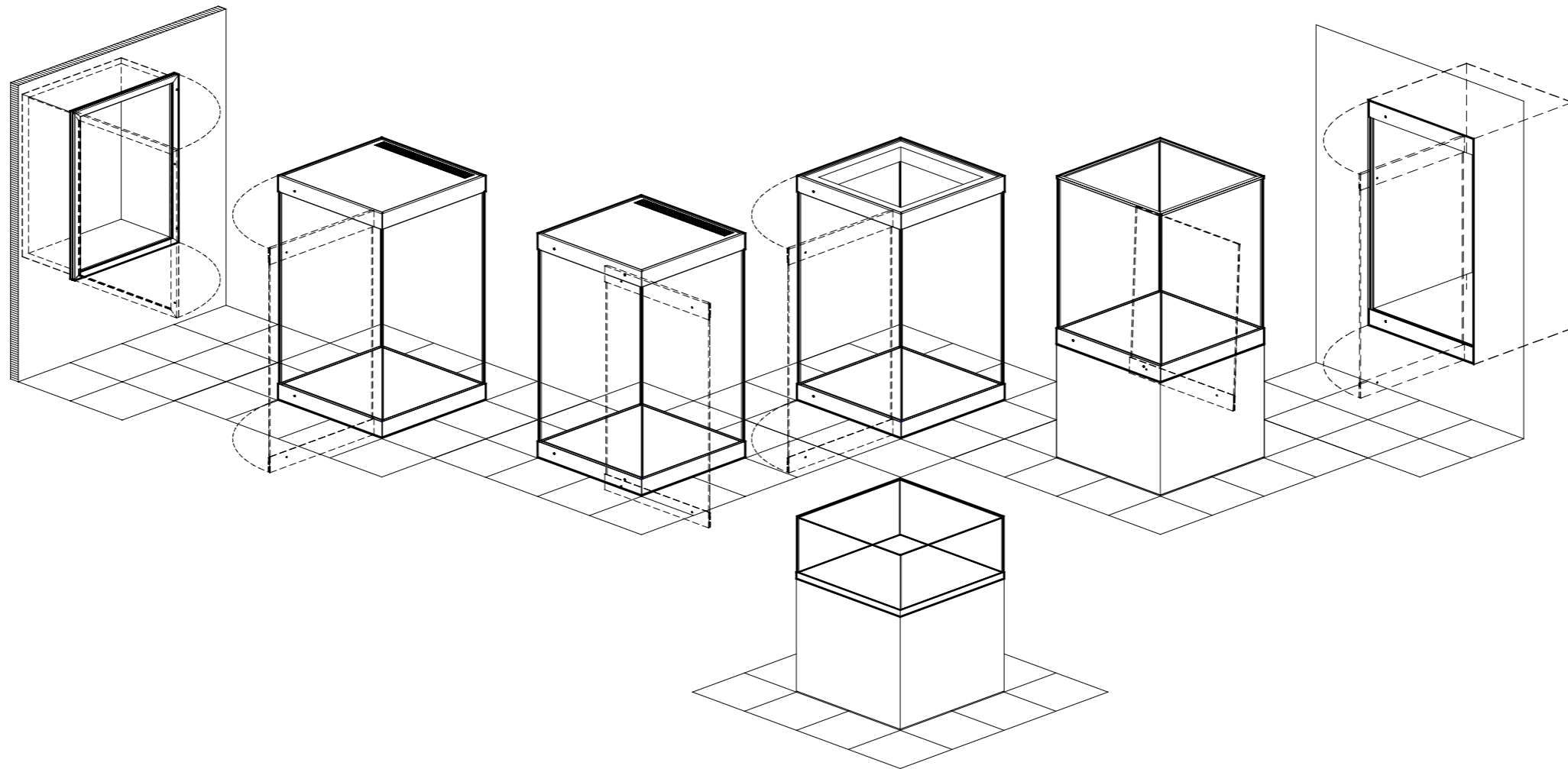


**A R M O U R  
S Y S T E M S**

The Museum Showcase Brochure  
a guide for designers & specifiers





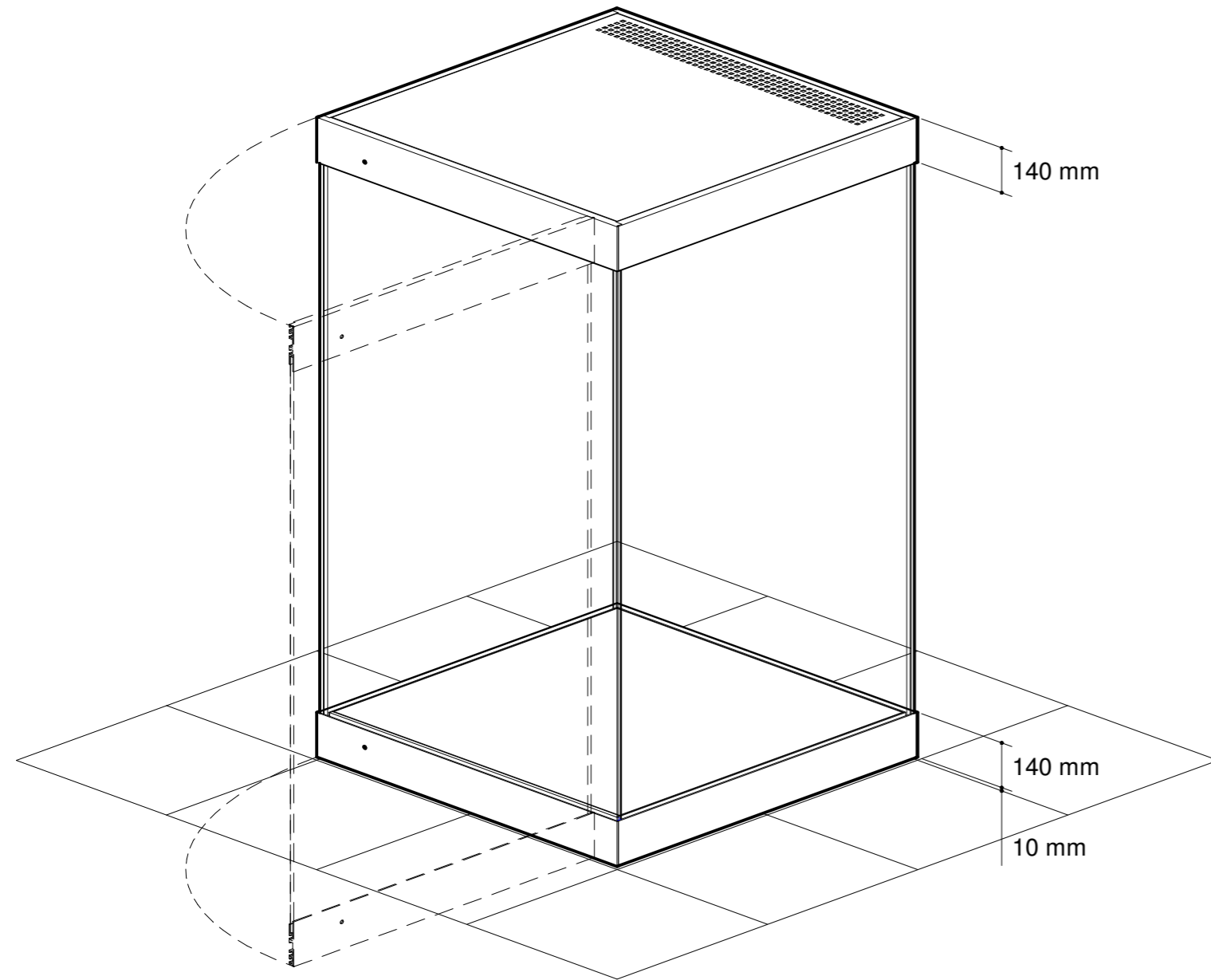
---

1.01	Nova showcase with hinged door Glazed on 4 sides
1.02	Nova showcase with pull & slide door Glazed on 4 sides
1.03	Nova showcase with hinged door Glazed on 3 sides with solid back
1.04	Nova showcase with glazed hinged door with solid back & side panels
1.05	Nova showcase with hinged door Glazed on 4 sides + glazed top
1.06	Nova showcase with single mechanism pull & slide door Glazed on 5 sides
1.07	Nova fascia system casefront with hinged or pull & slide door For building into structures
2.01	ProFrame casefront with hinged door For building into structures
3.01	Vision plinth top showcase with lift off or hinged canopy Glazed on 5 sides
3.02	Vision wall mounted showcase with lift off or hinged canopy Glazed on 5 sides
4.01	Shelving: Suspended or Cantilevered options For Nova & ProFrame showcases

---

---

---



Standard features  
Optional features

**Exterior frame finish**

**Glazing**

**Interior dress panel**

Header & base panels in sealed ZF MDF

**Security**

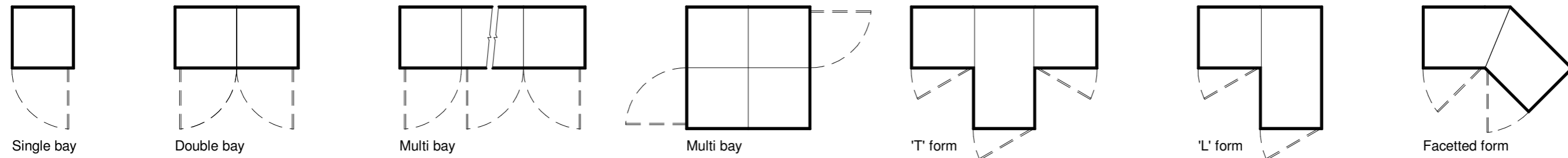
**Lighting**

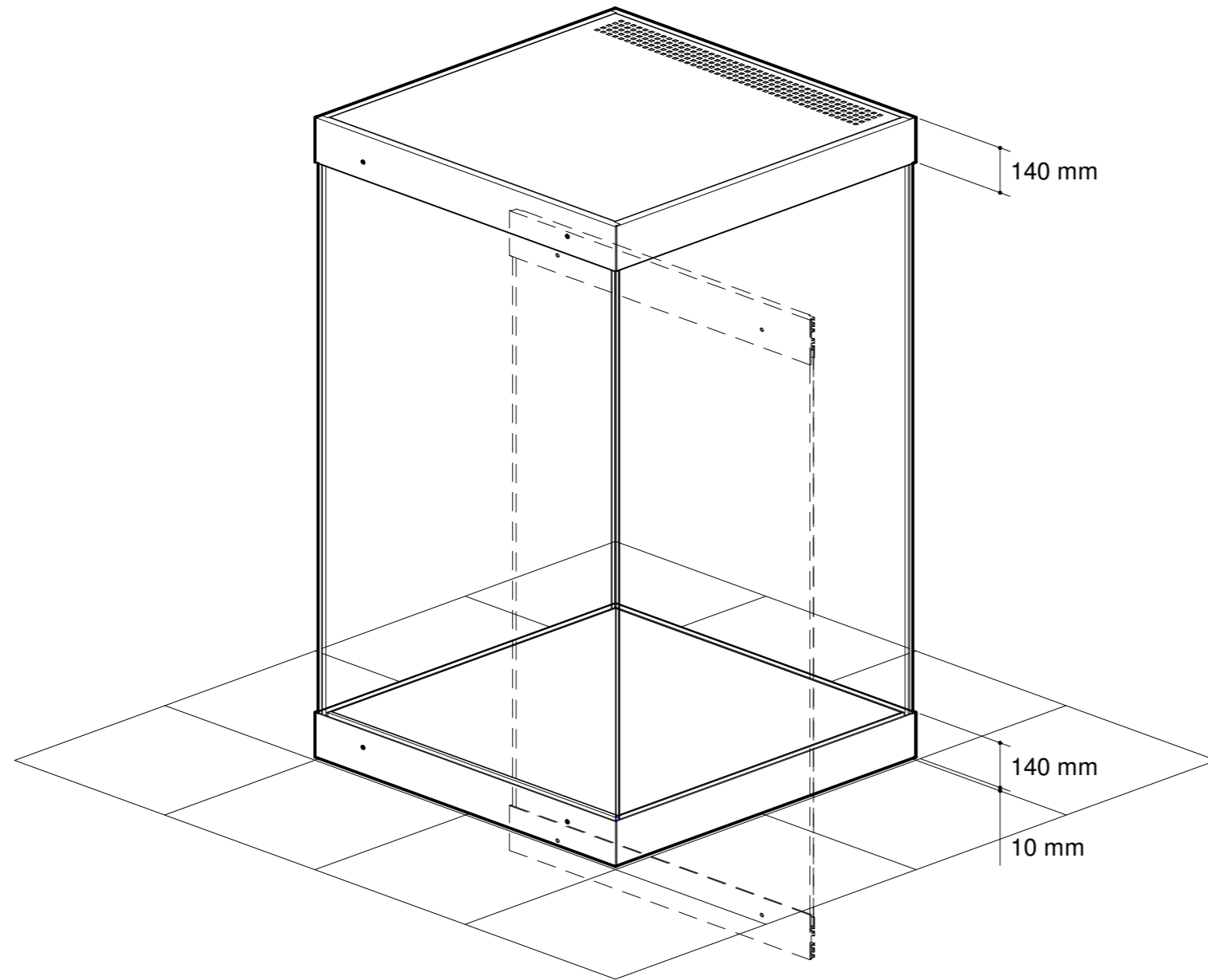
**Conditioning**

**Shelving**

- Polyester powder coated to any RAL colour ref
- 11.5mm laminated standard glass
- 13.5mm laminated standard glass
- 11.5mm laminated low iron glass
- 13.5mm laminated low iron glass
- 11.5mm laminated low reflective glass
- 13.5mm laminated low reflective glass
- Fabric finished to client's specification
- Polyester powder coated to any RAL colour ref
- Conservation grade emulsion painted to client's specification
- Laminate finished to client's specification
- Concealed Abloy balanced cam locks
- Abloy cylinder locks with espagnolette bolt system
- Fibre optic heads with remote dimmable low voltage tungsten halogen projector
- Fibre optic heads with remote metal halide projector
- Low voltage LED
- Silica gel cassette compartment
- Micro Climate AS 600 fan assisted silica gel system for larger volume showcases
- Adjustable suspended rod system with 10mm toughened glass shelves
- Adjustable cantilever system with 10mm toughened glass shelves

Typical 'Concourse' configurations





Standard features ●  
Optional features ○

**Exterior frame finish**

- Polyester powder coated to any RAL colour ref

**Glazing**

- 11.5mm laminated standard glass
- 13.5mm laminated standard glass
- 11.5mm laminated low iron glass
- 13.5mm laminated low iron glass
- 11.5mm laminated low reflective glass
- 13.5mm laminated low reflective glass

**Interior dress panel**

Header & base panels in sealed ZF MDF

- Fabric finished to client's specification
- Polyester powder coated to any RAL colour ref
- Conservation grade emulsion painted to client's specification
- Laminate finished to client's specification

**Security**

- Concealed Abloy balanced cam locks
- Abloy cylinder locks with espagnolette bolt system

**Lighting**

- Fibre optic heads with remote dimmable low voltage tungsten halogen projector
- Fibre optic heads with remote metal halide projector
- Low voltage LED

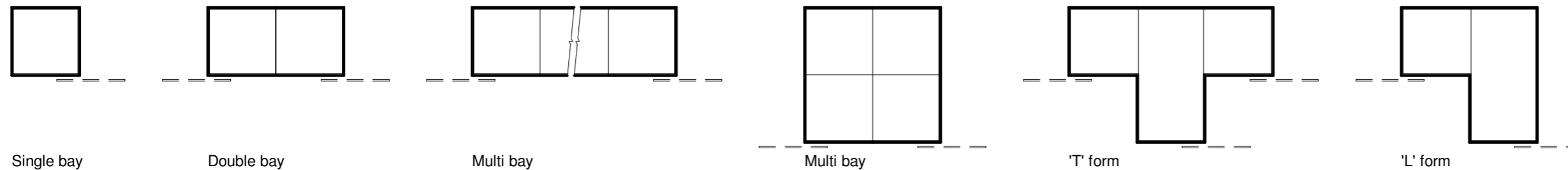
**Conditioning**

- Silica gel cassette compartment
- Micro Climate AS 600 fan assisted silica gel system for larger volume showcases

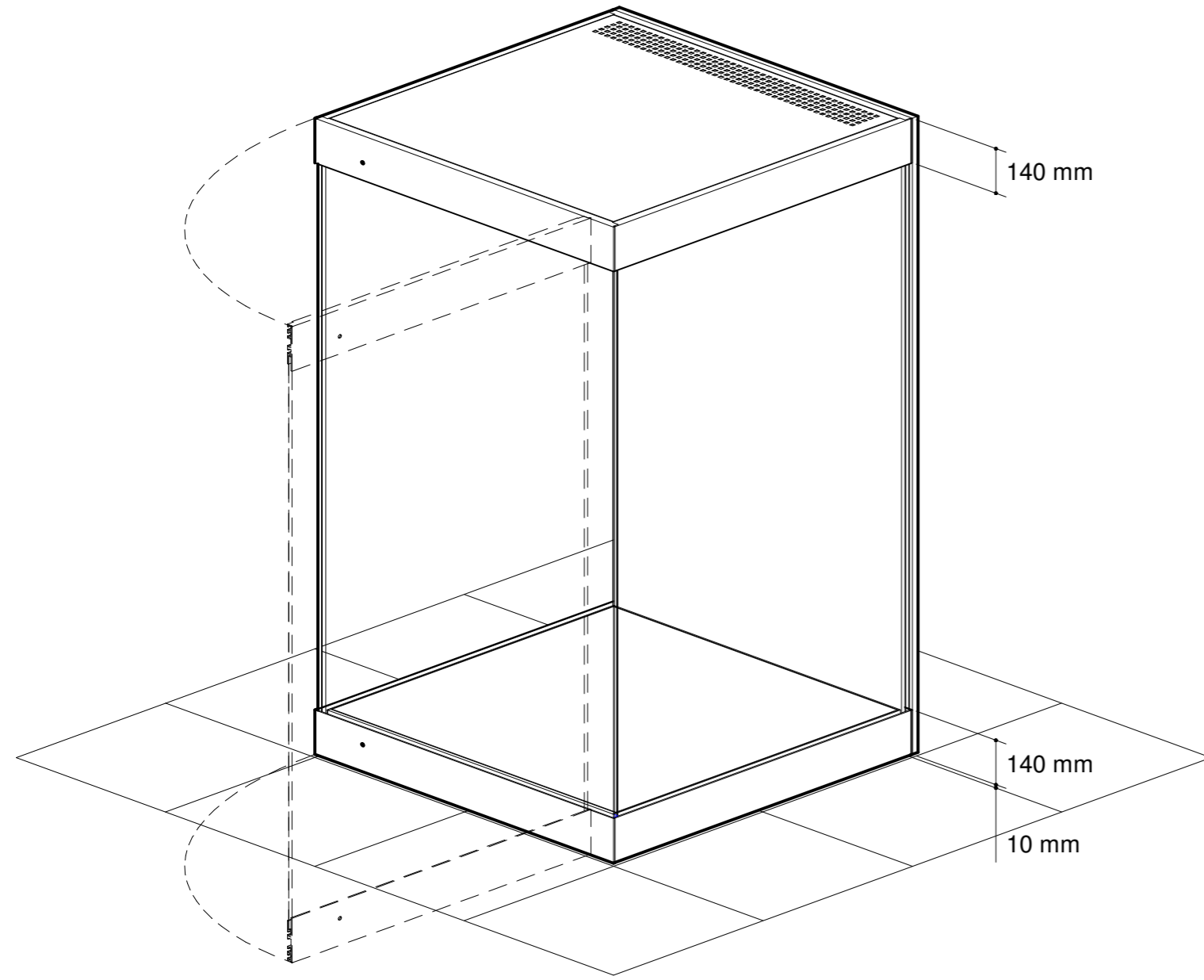
**Shelving**

- Adjustable suspended rod system with 10mm toughened glass shelves
- Adjustable cantilever system with 10mm toughened glass shelves

Typical 'Concourse' configurations



High security conservation showcase with hinged door  
Glazed on 3 sides with solid back panel



Standard features ●  
Optional features ○

**Exterior frame finish**

- Polyester powder coated to any RAL colour ref

**Glazing**

- 11.5mm laminated standard glass
- 13.5mm laminated standard glass
- 11.5mm laminated low iron glass
- 13.5mm laminated low iron glass
- 11.5mm laminated low reflective glass
- 13.5mm laminated low reflective glass

**Interior dress panel**

Header, base & back panels in sealed ZF MDF

- Fabric finished to client's specification
- Polyester powder coated to any RAL colour ref
- Conservation grade emulsion painted to client's specification
- Laminate finished to client's specification

**Security**

- Concealed Abloy balanced cam locks
- Abloy cylinder locks with espagnolette bolt system

**Lighting**

- Fibre optic heads with remote dimmable low voltage tungsten halogen projector
- Fibre optic heads with remote metal halide projector
- Low voltage LED

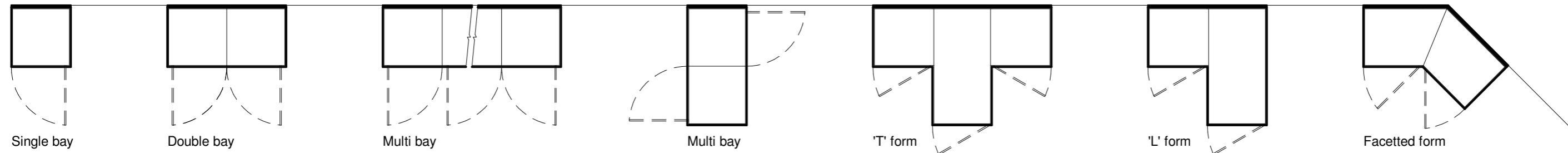
**Conditioning**

- Silica gel cassette compartment
- Micro Climate AS 600 fan assisted silica gel system for larger volume showcases

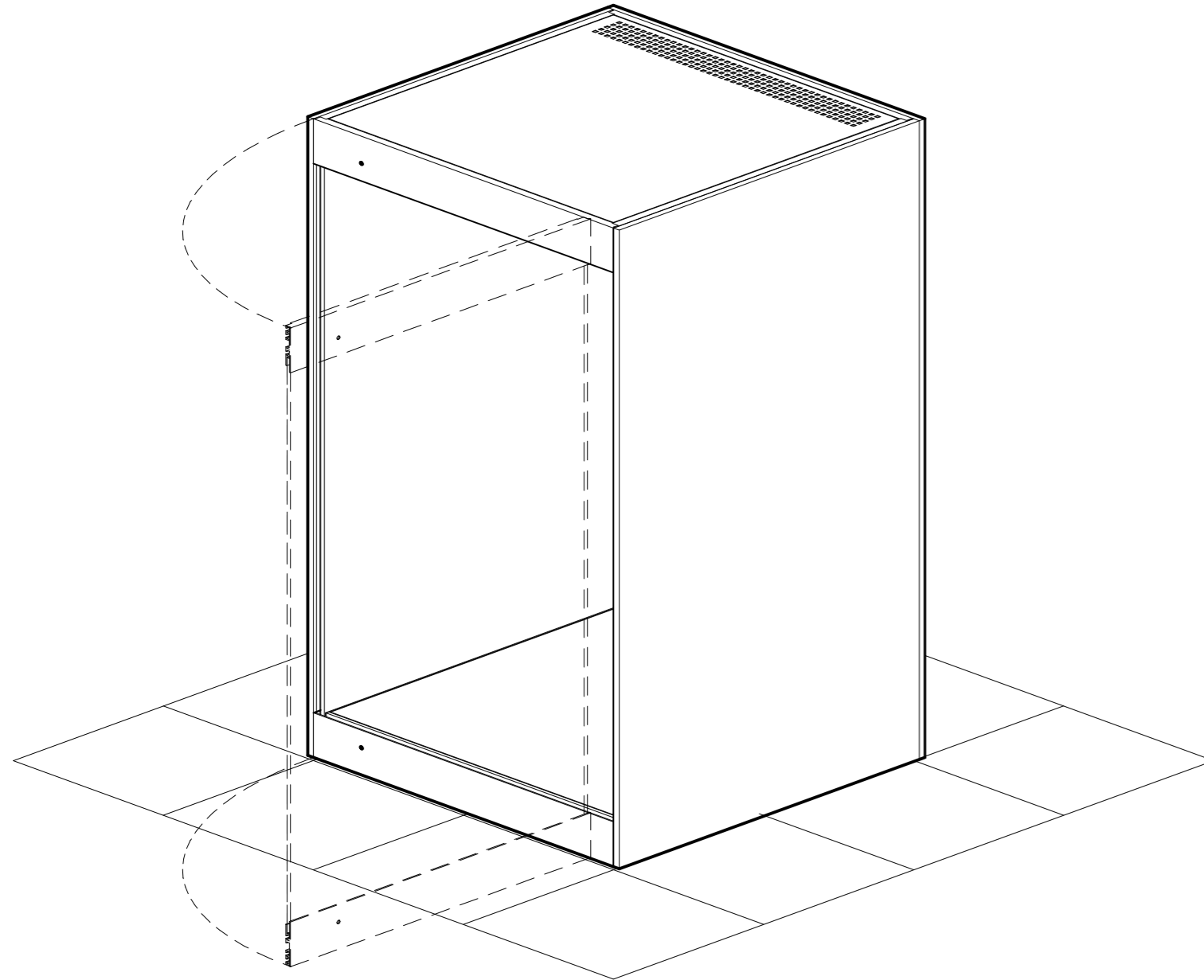
**Shelving**

- Adjustable suspended rod system with 10mm toughened glass shelves
- Adjustable cantilever system with 10mm toughened glass shelves

Typical 'Corridor' configurations



Standard features ●  
Optional features ○



**Exterior frame finish**

- Polyester powder coated to any RAL colour ref

**Glazing**

- 11.5mm laminated standard glass
- 13.5mm laminated standard glass
- 11.5mm laminated low iron glass
- 13.5mm laminated low iron glass
- 11.5mm laminated low reflective glass
- 13.5mm laminated low reflective glass

**Interior dress panel**

Header & base panels in sealed ZF MDF

- Fabric finished to client's specification
- Polyester powder coated to any RAL colour ref
- Conservation grade emulsion painted to client's specification
- Laminate finished to client's specification

**Security**

- Concealed Abloy balanced cam locks
- Abloy cylinder locks with espagnolette bolt system

**Lighting**

- Fibre optic heads with remote dimmable low voltage tungsten halogen projector
- Fibre optic heads with remote metal halide projector
- Low voltage LED

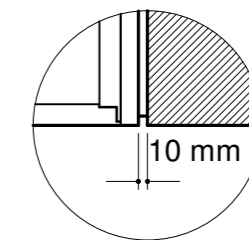
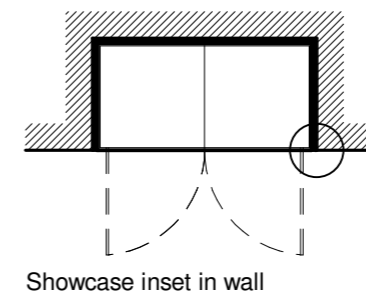
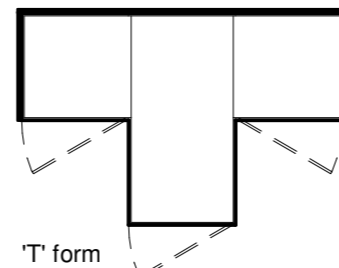
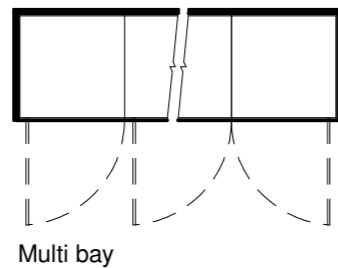
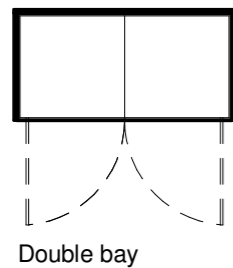
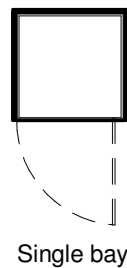
**Conditioning**

- Silica gel cassette compartment
- Micro Climate AS 600 fan assisted silica gel system for larger volume showcases

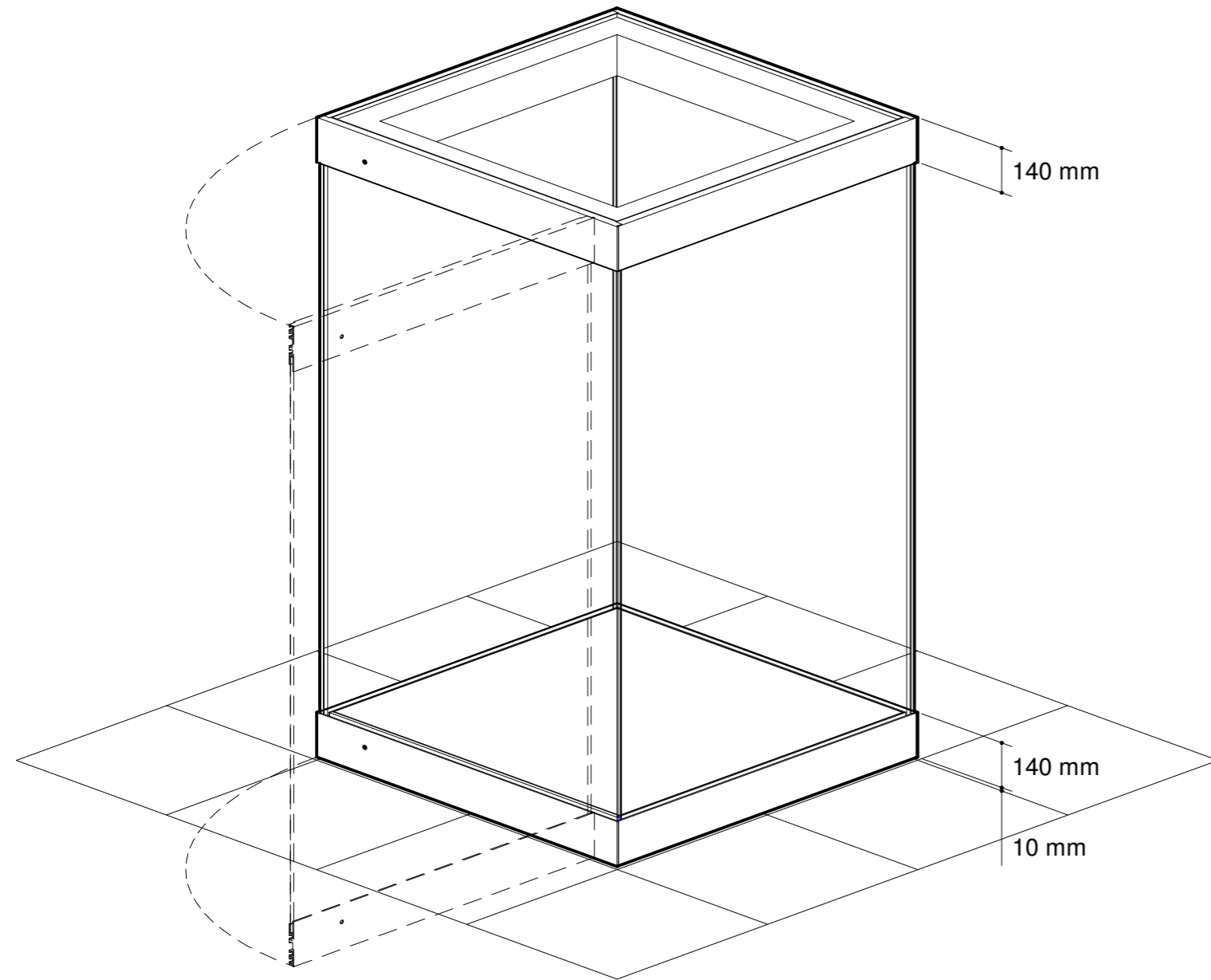
**Shelving**

- Adjustable suspended rod system with 10mm toughened glass shelves
- Adjustable cantilever system with 10mm toughened glass shelves

**Typical configurations**



Detail of typical clearance between showcase & wall



Standard features ●  
Optional features ○

**Exterior frame finish**

- Polyester powder coated to any RAL colour ref

**Glazing**

- 11.5mm laminated standard glass
- 13.5mm laminated standard glass
- 11.5mm laminated low iron glass
- 13.5mm laminated low iron glass
- 11.5mm laminated low reflective glass
- 13.5mm laminated low reflective glass

**Interior dress panel**

Base panel in sealed ZF MDF

- Fabric finished to client's specification
- Polyester powder coated to any RAL colour ref
- Conservation grade emulsion painted to client's specification
- Laminate finished to client's specification

**Security**

- Concealed Abloy balanced cam locks
- Abloy cylinder locks with espagnolette bolt system

**Lighting**

- Fibre optic heads with remote dimmable low voltage tungsten halogen projector
- Fibre optic heads with remote metal halide projector
- Low voltage LED

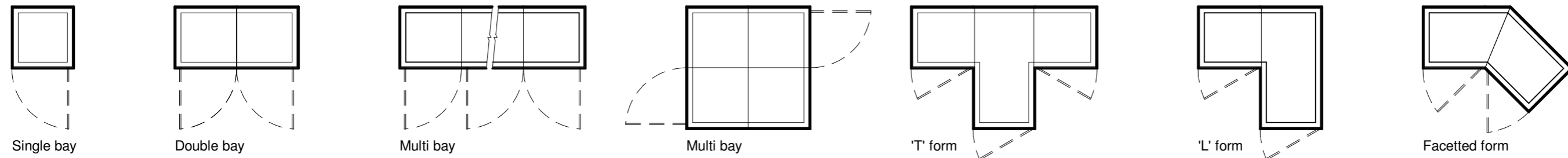
**Conditioning**

- Silica gel cassette compartment
- Micro Climate AS 600 fan assisted silica gel system for larger volume showcases

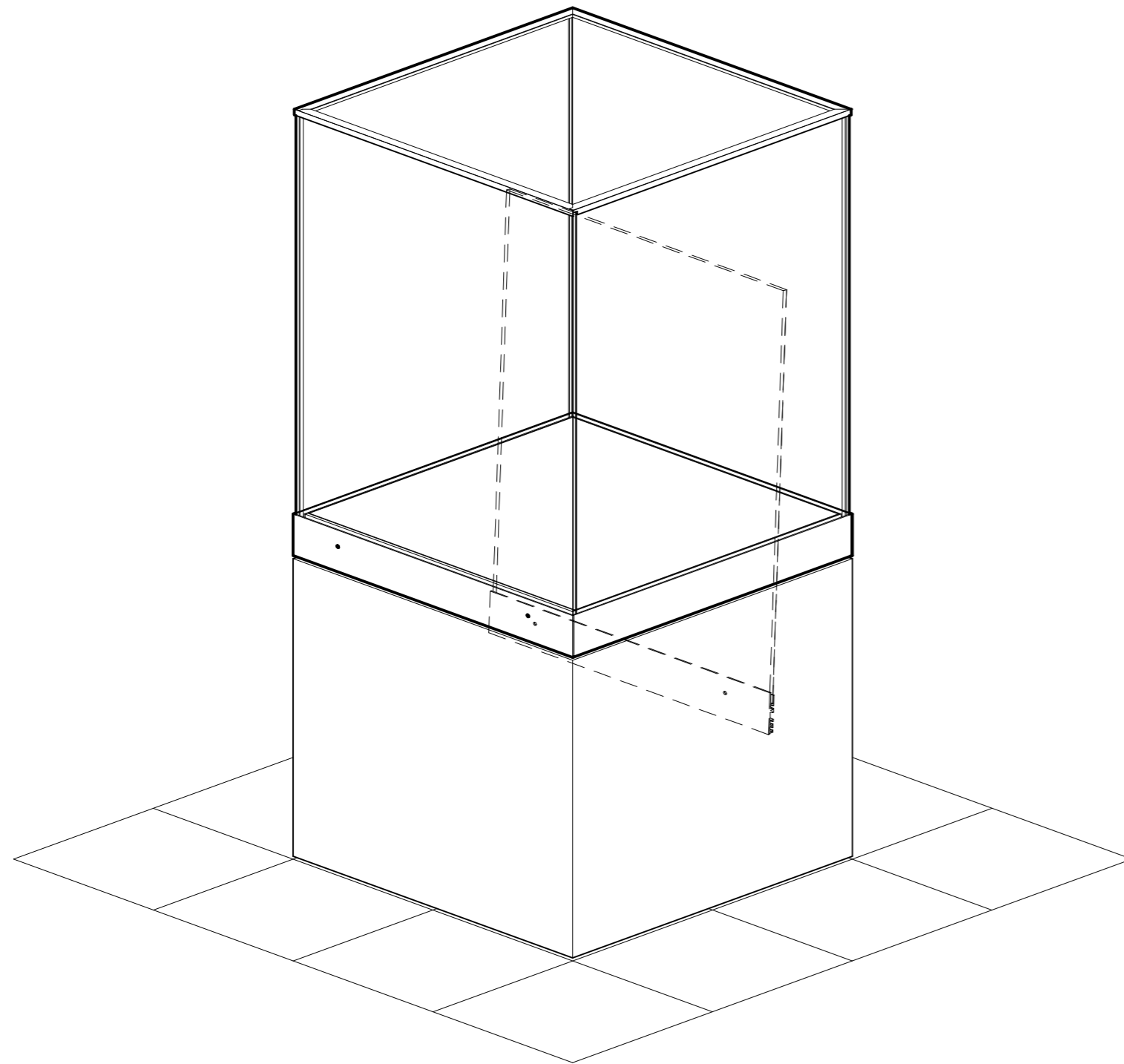
**Shelving**

- Adjustable suspended rod system with 10mm toughened glass shelves
- Adjustable cantilever system with 10mm toughened glass shelves

Typical 'Concourse' configurations



Standard features ●  
Optional features ○



**Exterior frame finish**

- Polyester powder coated to any RAL colour ref

**Glazing**

- 11.5mm laminated standard glass
- 13.5mm laminated standard glass
- 11.5mm laminated low iron glass
- 13.5mm laminated low iron glass
- 11.5mm laminated low reflective glass
- 13.5mm laminated low reflective glass

**Interior dress panel**

Base panel in sealed ZF MDF

- Fabric finished to client's specification
- Polyester powder coated to any RAL colour ref
- Conservation grade emulsion painted to client's specification
- Laminate finished to client's specification

**Security**

- Concealed Abloy balanced cam locks
- Abloy cylinder locks with espagnolette bolt system

**Lighting**

- Fibre optic heads with remote dimmable low voltage tungsten halogen projector
- Fibre optic heads with remote metal halide projector
- Low voltage LED

**Conditioning**

- Silica gel cassette compartment
- Micro Climate AS 600 fan assisted silica gel system for larger volume showcases

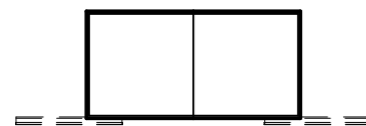
**Shelving**

- Adjustable suspended rod system with 10mm toughened glass shelves

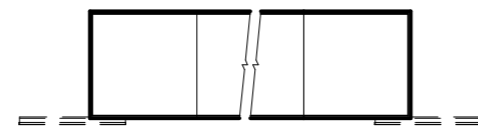
Typical 'Concourse' configurations



Single bay



Double bay



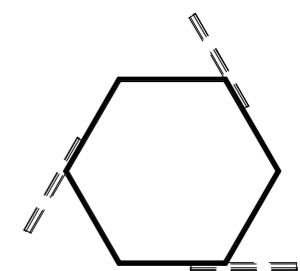
Multi bay



'T' form



'L' form



Facetted form

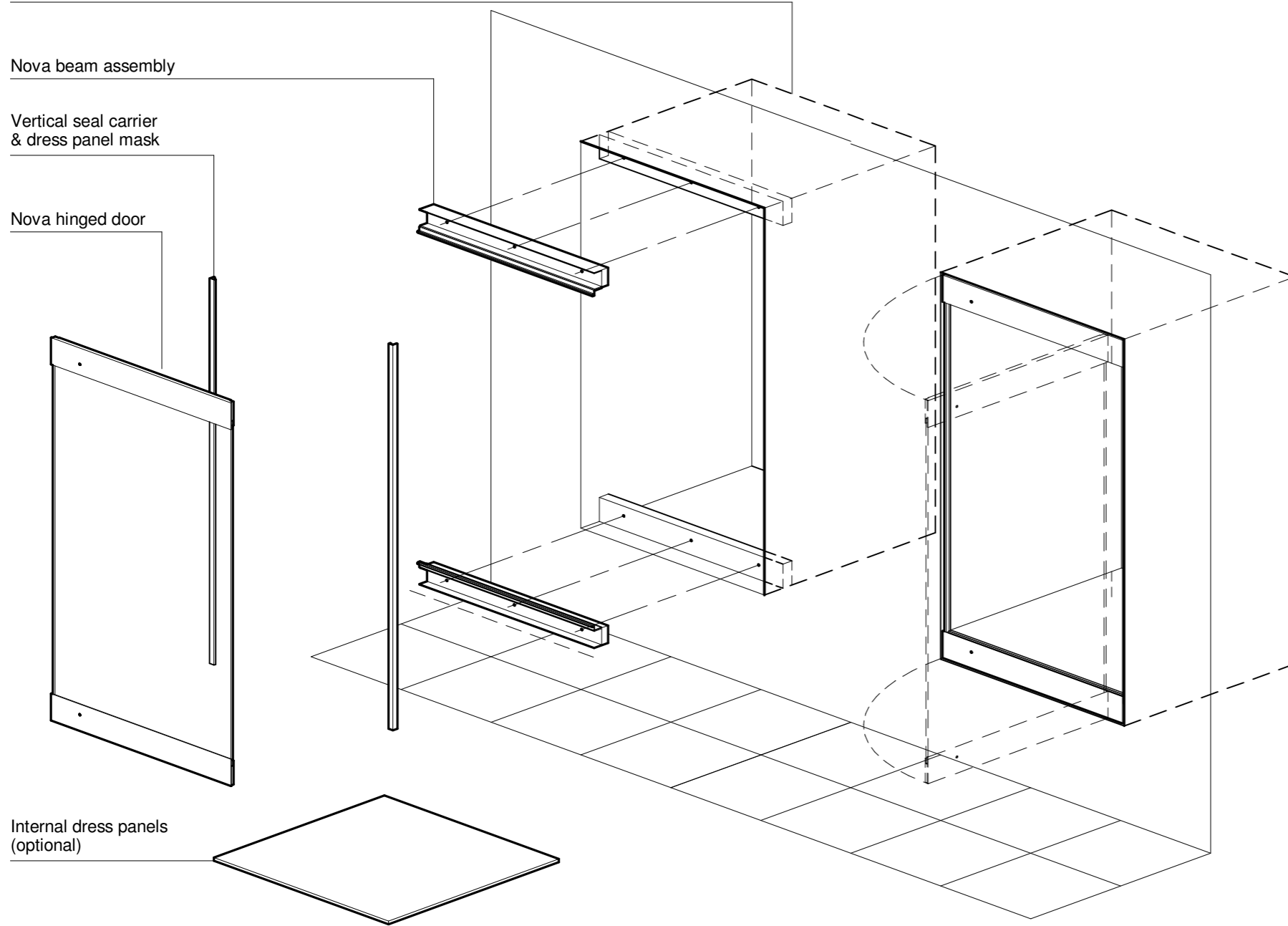
Client's wall recess

Nova beam assembly

Vertical seal carrier & dress panel mask

Nova hinged door

Internal dress panels (optional)



Standard features ●  
Optional features ○

**Exterior frame finish**

- Polyester powder coated to any RAL colour ref

**Glazing**

- 11.5mm laminated standard glass
- 13.5mm laminated standard glass
- 11.5mm laminated low iron glass
- 13.5mm laminated low iron glass
- 11.5mm laminated low reflective glass
- 13.5mm laminated low reflective glass

**Interior dress panel**

Header, base, side & back panels in sealed ZF MDF

- Fabric finished to client's specification
- Polyester powder coated to any RAL colour ref
- Conservation grade emulsion painted to client's specification
- Laminate finished to client's specification

**Security**

- Concealed Abloy balanced cam locks
- Abloy cylinder locks with espagnolette bolt system

**Lighting**

- Fibre optic heads with remote dimmable low voltage tungsten halogen projector
- Fibre optic heads with remote metal halide projector
- Low voltage LED

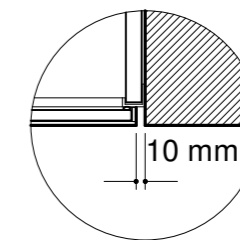
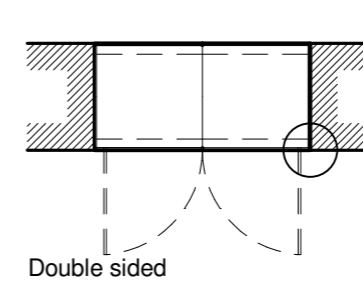
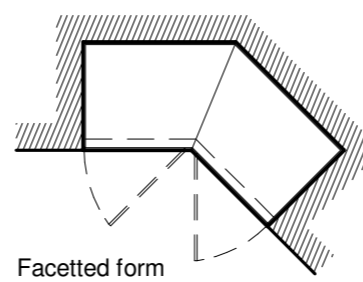
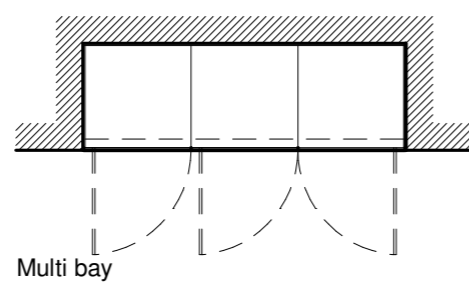
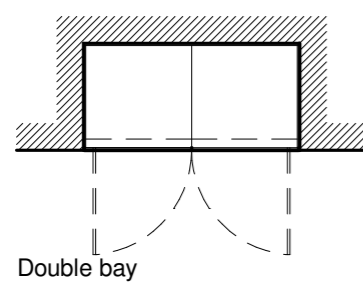
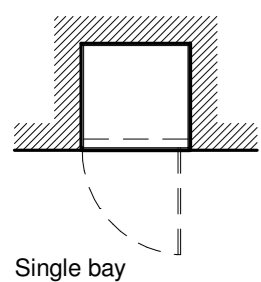
**Conditioning**

- Silica gel cassette compartment
- Micro Climate AS 600 fan assisted silica gel system for larger volume showcases

**Shelving**

- Adjustable suspended rod system with 10mm toughened glass shelves
- Adjustable cantilever system with 10mm toughened glass shelves

**Typical configurations**



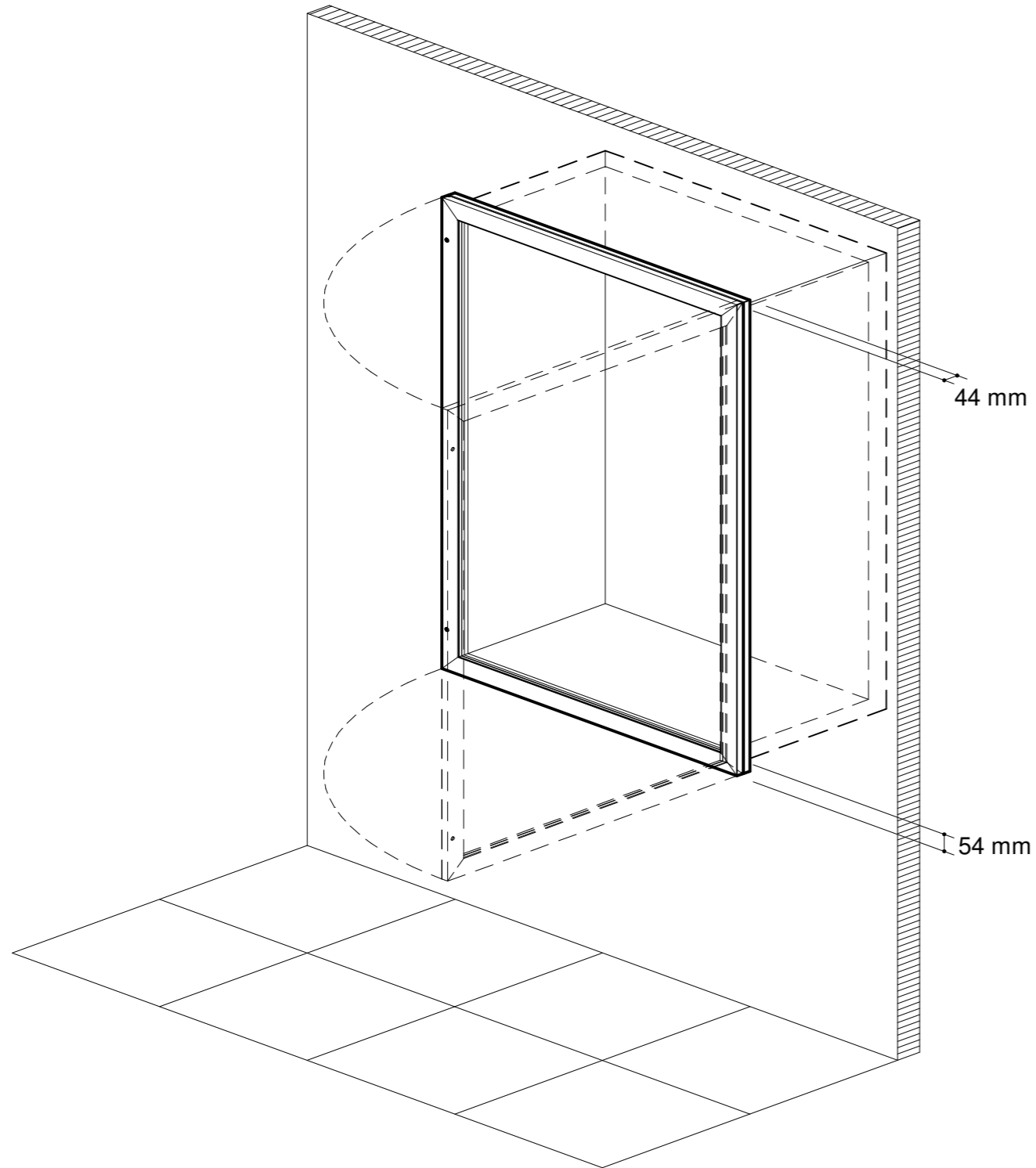
Detail of typical clearance between casefront & wall

# ProFrame

High security conservation casefront with hinged door  
For building into structures



Standard features ●  
Optional features ○



## Exterior frame finish

- Polyester powder coated to any RAL colour ref

## Glazing

- 9.5mm laminated standard glass
- 11.5mm laminated standard glass
- 9.5mm laminated low iron glass
- 11.5mm laminated low iron glass
- 9.5mm laminated low reflective glass
- 11.5mm laminated low reflective glass

## Carcase

- Museum grade sealed ZF MDF

## Interior dress panels

Header, base, side & back panels in sealed ZF MDF

- Fabric finished to client's specification
- Polyester powder coated to any RAL colour ref
- Conservation grade emulsion painted to client's specification
- Laminate finished to client's specification

## Security

- Concealed Abloy balanced cam locks

## Lighting

- Fibre optic heads with remote dimmable low voltage tungsten halogen projector
- Fibre optic heads with remote metal halide projector
- Low voltage LED

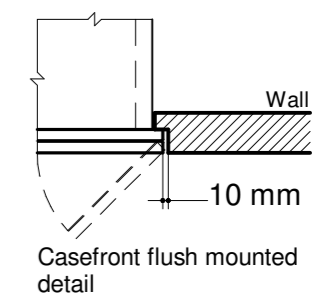
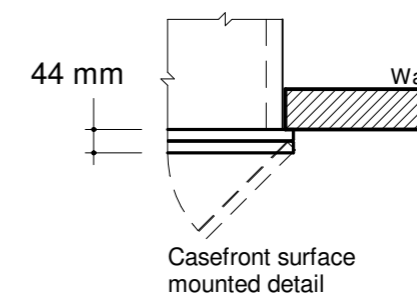
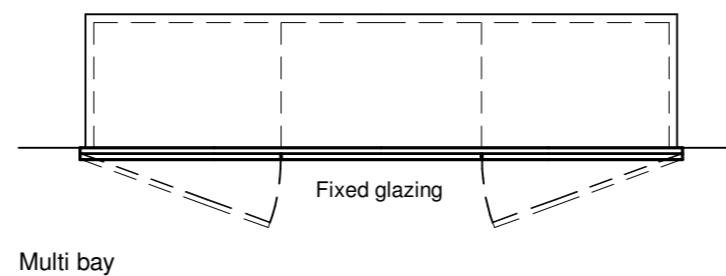
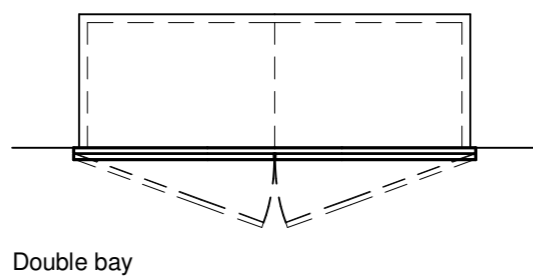
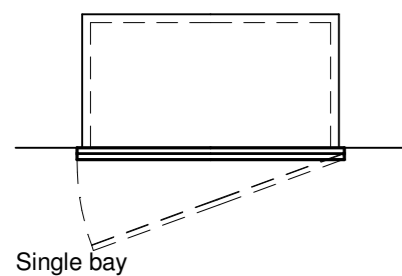
## Conditioning

- Silica gel cassette compartment
- Micro Climate AS 600 fan assisted silica gel system for larger volume showcases

## Shelving

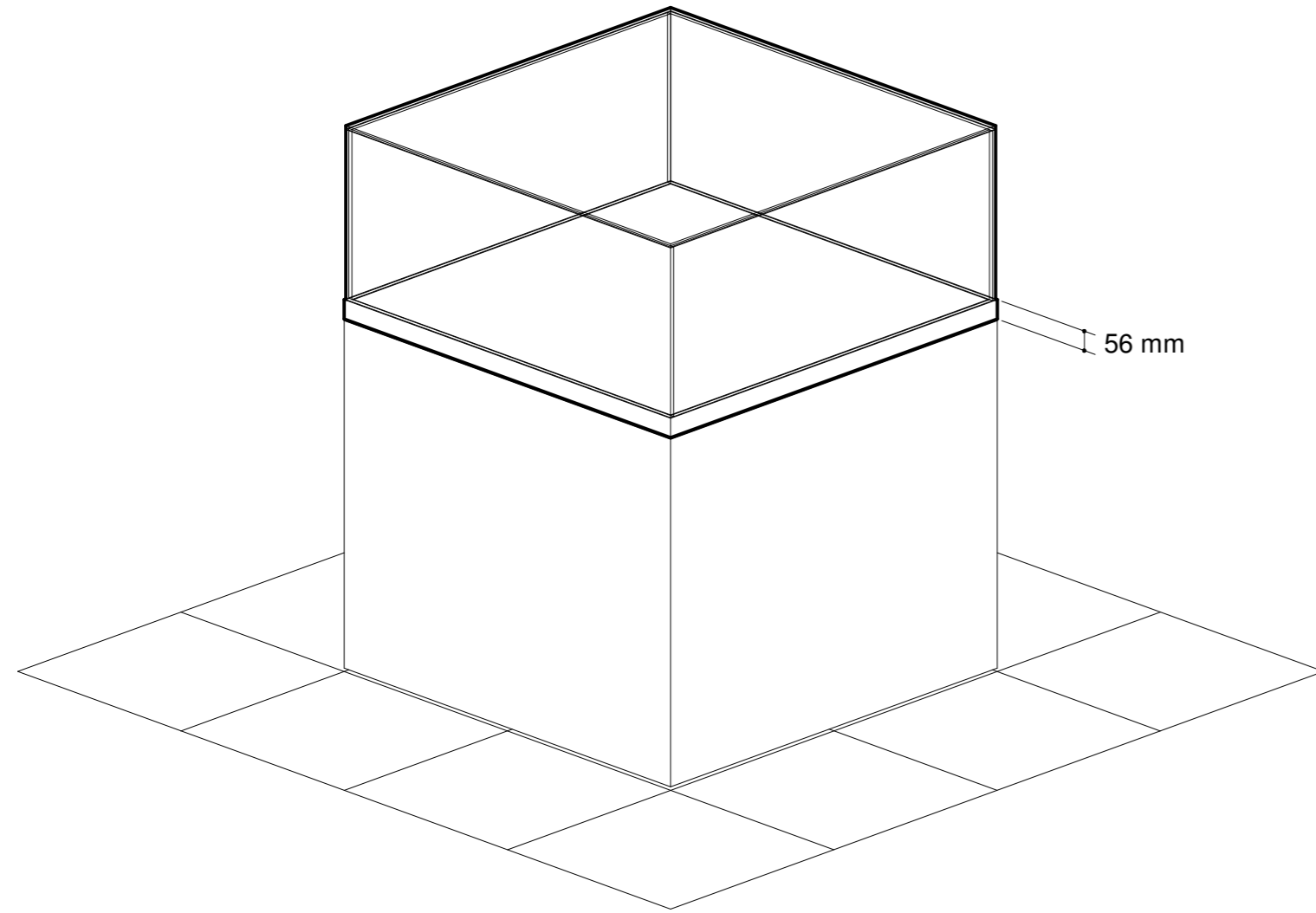
- Adjustable suspended rod system with 10mm toughened glass shelves
- Adjustable cantilever system with 10mm toughened glass shelves

## Typical configurations



# Vision

Plinth top high security conservation showcase - Lift off or Hinged canopy  
 Glazed on 5 sides



Standard features  
 Optional features

**Exterior frame finish**

**Glazing**

**Interior dress panel**

Base panel in sealed ZF MDF

**Security**

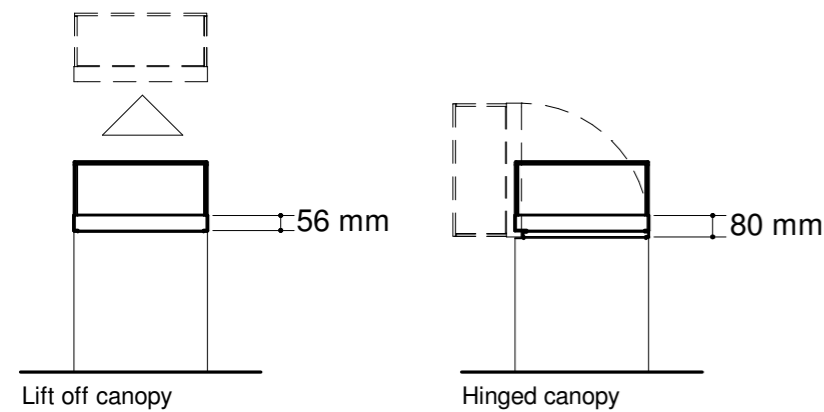
**Lighting**

**Conditioning**

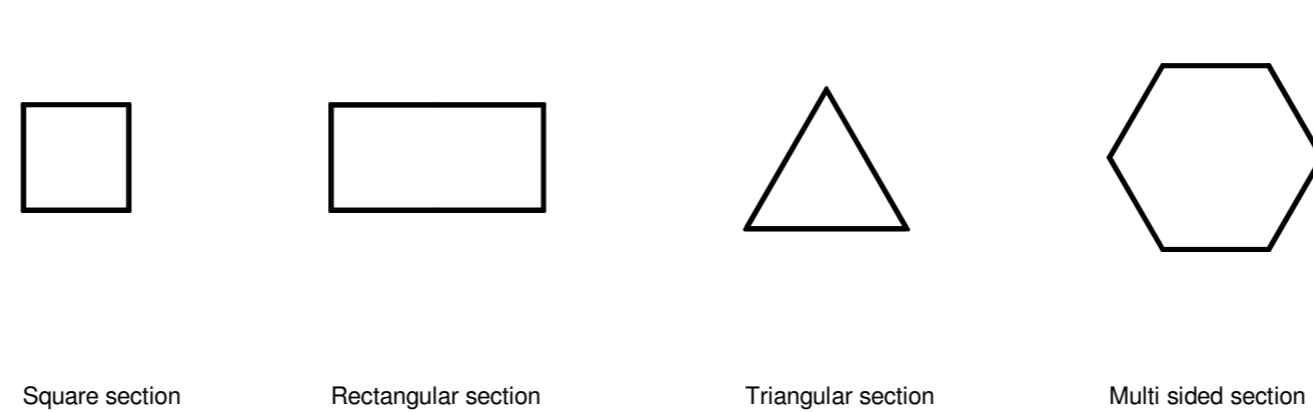
- 
- 

- Polyester powder coated to any RAL colour ref
- 9.5mm laminated standard glass
- 9.5mm laminated low iron glass
- Fabric finished to client's specification
- Polyester powder coated to any RAL colour ref
- Conservation grade emulsion painted to client's specification
- Laminate finished to client's specification
- Abloy push locks
- Fibre optic heads with remote dimmable low voltage tungsten halogen projector
- Fibre optic heads with remote metal halide projector
- Low voltage LED
- Silica gel cassette compartment
- Micro Climate AS 600 fan assisted silica gel system for larger volume showcases

Typical configurations



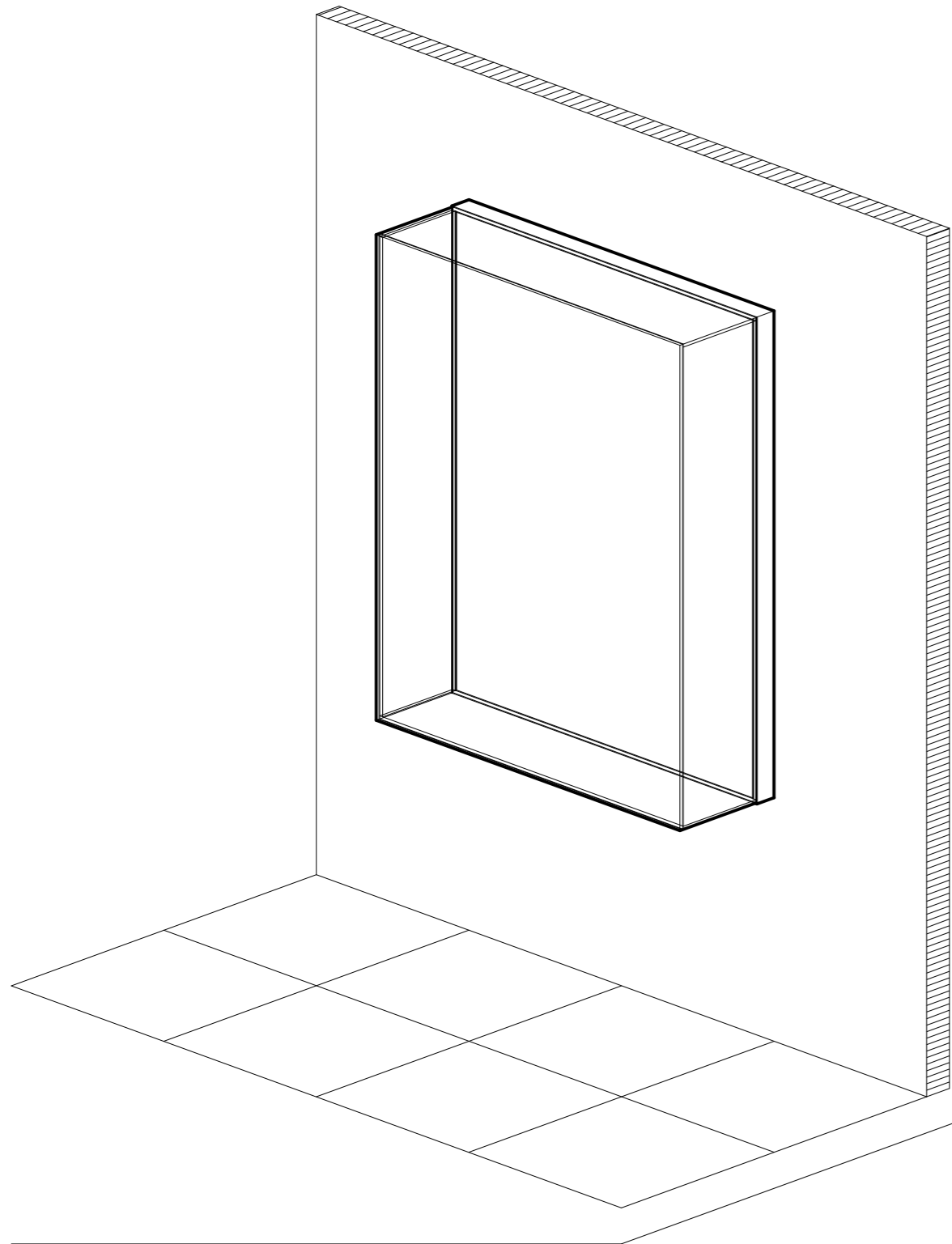
Potential plan shapes



# Vision

Wall mounted high security conservation showcase - Lift off or Hinged canopy  
 Glazed on 5 sides

Standard features ●  
 Optional features ○



**Exterior frame finish**

- Polyester powder coated to any RAL colour ref

**Glazing**

- 9.5mm laminated standard glass
- 9.5mm laminated low iron glass

**Interior dress panel**

Back panel in sealed ZF MDF

- Fabric finished to client's specification
- Polyester powder coated to any RAL colour ref
- Conservation grade emulsion painted to client's specification
- Laminate finished to client's specification

**Security**

- Abloy push locks

**Lighting**

- Fibre optic heads with remote dimmable low voltage tungsten halogen projector
- Fibre optic heads with remote metal halide projector
- Low voltage LED

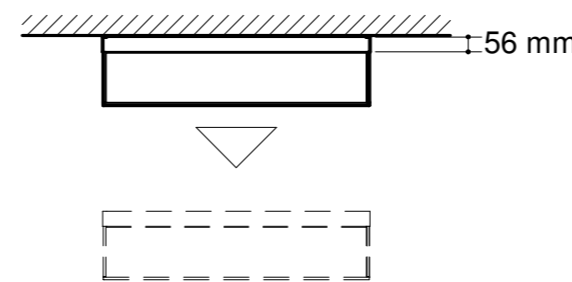
**Conditioning**

- Silica gel cassette compartment
- Micro Climate AS 600 fan assisted silica gel system for larger volume showcases

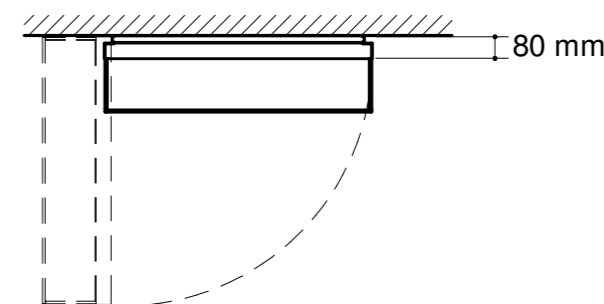
**Shelving**

- Adjustable cantilever system with 10mm toughened glass shelves

Typical configurations



Lift off canopy



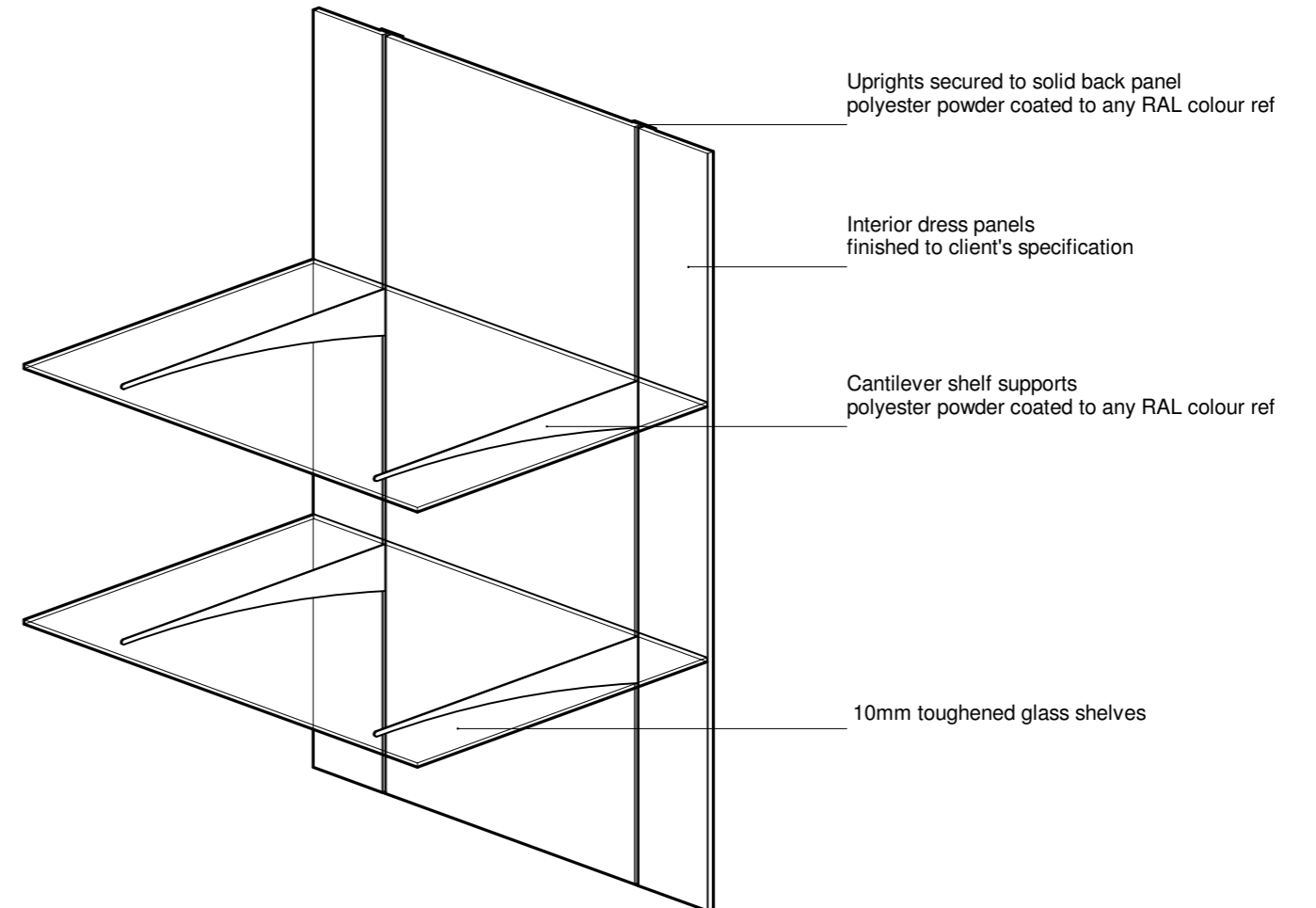
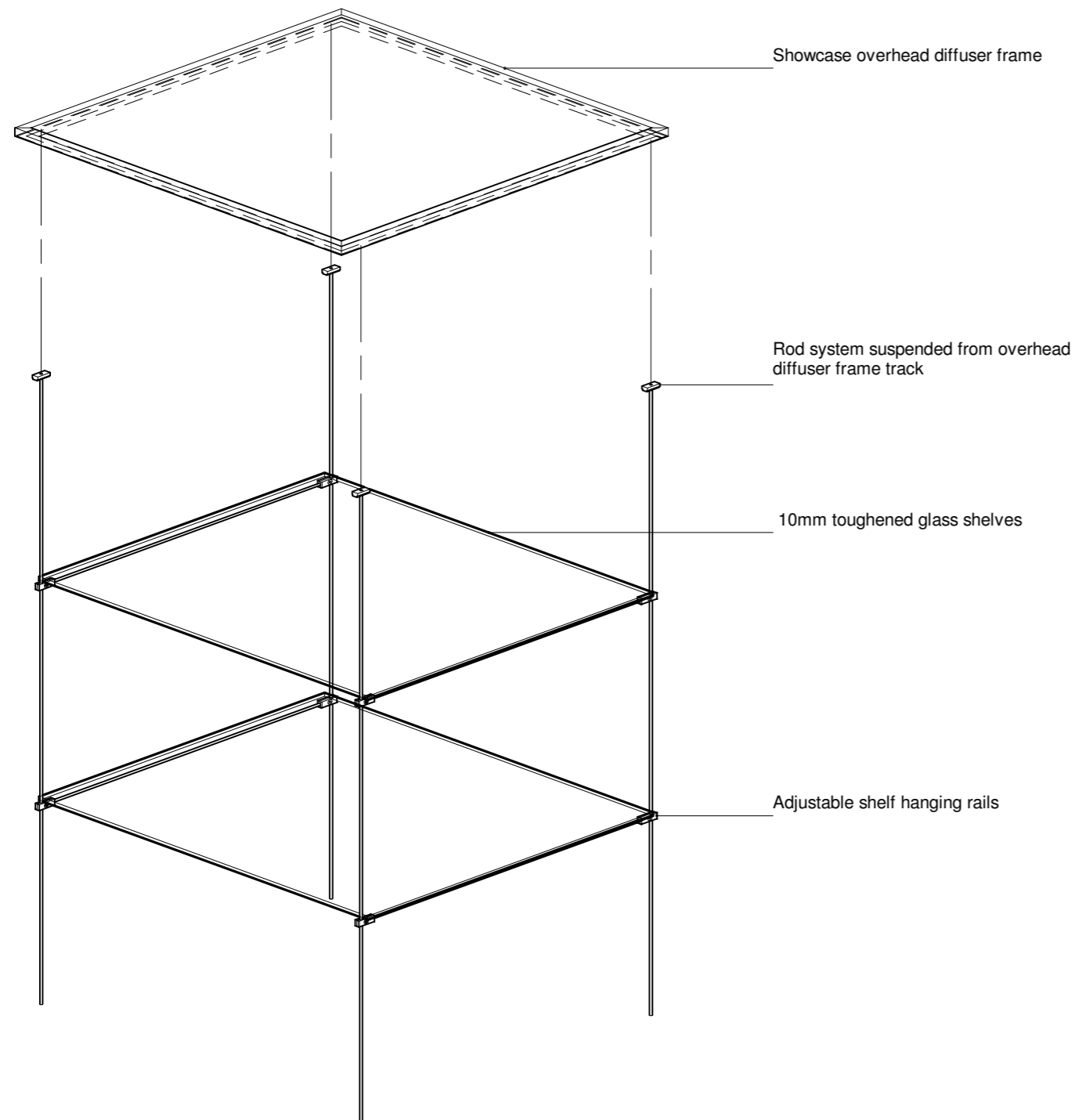
Hinged canopy

# Shelving

Suspended rod shelving system

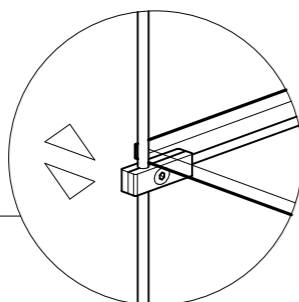
Cantilever shelving system

ARMOUR  
SYSTEMS  
LIMITED

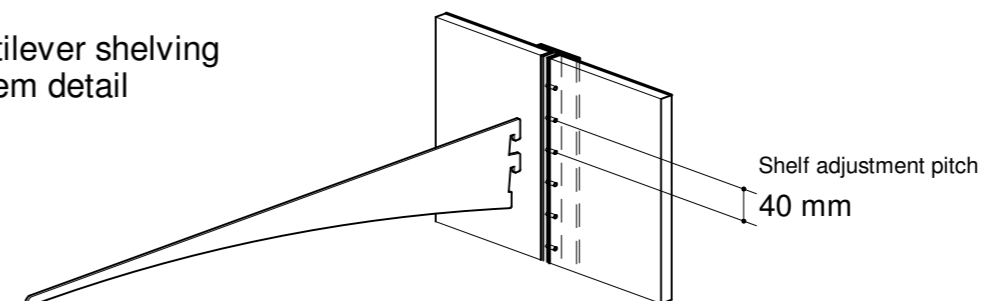


Suspended rod shelving system detail

Easily adjustable shelf hanging rails



Cantilever shelving system detail



**A R M O U R  
S Y S T E M S**

Armour Systems Ltd.  
Lyon Road,  
Denbigh West,  
Milton Keynes  
MK1 1EX  
GREAT BRITAIN

<http://www.armoursystems.co.uk>

[info@armoursystems.co.uk](mailto:info@armoursystems.co.uk)

T: +44(0)1908 377333

F: +44(0)1908 631263